



MAGNETECH CORPORATION

Tel: (248) 426-8840

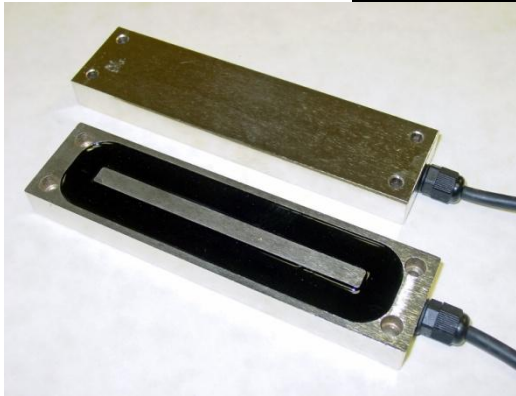
Engineering & Sales of Electromagnetic Components & Devices

Fax: (248) 888-9537

22809 Heslip Drive, Novi, MI 48375, USA

www.magnetechcorp.com

DC LOW PROFILE ELECTROMAGNETS



Only 3/4" high, flat surface.

Best in sheet metal holding.

Nickel-plated for corrosion prevention.

Continuous duty cycle.

Max. ambient temp 40°C (100°F)

12 Volts DC Low Profile Electromagnets:

Part Number	Holding Value	Width	Length	Height	Hole Spacing	Mounting Clearance	Lead Length	Watts	Amps	Net Weight
12 V. DC	0" gap	A	B	C	D1 x D2	E				
L-402007-12	100 lbs.	2"	4"	3/4"	3-1/2" x 1-1/4"	1/4 - 20 SHCS	36" cable	5.79	0.48	2 lbs.
L-802007-12	270 lbs.	2"	8"	3/4"	7-1/4" x 1-1/4"	1/4 - 20 SHCS	36" cable	14.3	1.29	4 lbs.
L-12X2007-12	360 lbs.	2"	12"	3/4"	11-1/4" x 1-1/4"	1/4 - 20 SHCS	36" cable	23.8	1.94	6 lbs.

24 Volts DC Low Profile Electromagnets:

Part Number	Holding Value	Width	Length	Height	Hole Spacing	Mounting Clearance	Lead Length	Watts	Amps	Net Weight
24 V. DC	0" gap	A	B	C	D1 x D2	E				
L-402007-24	100 lbs.	2"	4"	3/4"	3-1/2" x 1-1/4"	1/4 - 20 SHCS	36" cable	5.79	0.25	2 lbs.
L-802007-24	270 lbs.	2"	8"	3/4"	7-1/4" x 1-1/4"	1/4 - 20 SHCS	36" cable	14.3	0.65	4 lbs.
L-12X2007-24	360 lbs.	2"	12"	3/4"	11-1/4" x 1-1/4"	1/4 - 20 SHCS	36" cable	23.8	0.99	6 lbs.

110 Volts DC Low Profile Electromagnets:

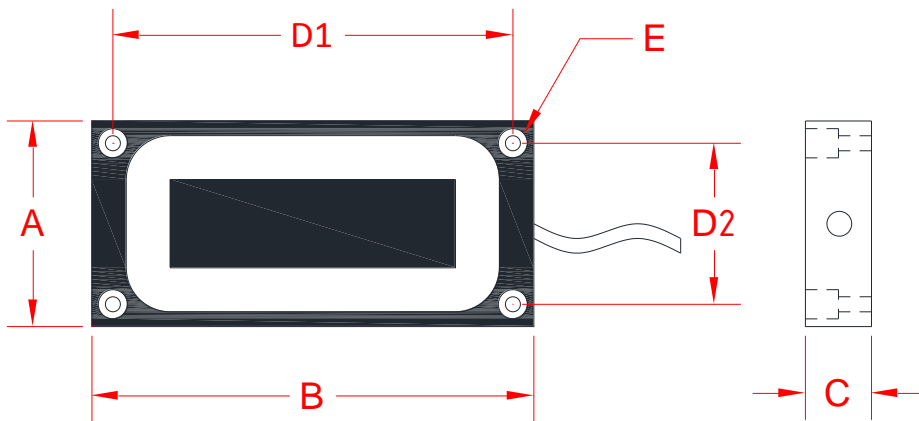
Part Number	Holding Value	Width	Length	Height	Hole Spacing	Mounting Clearance	Lead Length	Watts	Amps	Net Weight
110 V. DC	0" gap	A	B	C	D1 x D2	E				
L-402007-110	100 lbs.	2"	4"	3/4"	3-1/2" x 1-1/4"	1/4 - 20 SHCS	36" cable	5.79	0.059	2 lbs.

L-802007-110	270 lbs.	2"	8"	3/4"	7-1/4" x 1-1/4"	1/4 - 20 SHCS	36" cable	14.3	0.13	4 lbs.
L-12X2007-110	360 lbs.	2"	12"	3/4"	11-1/4" x 1-1/4"	1/4 - 20 SHCS	36" cable	23.8	0.22	6 lbs.

Holding force decreasing over thickness of sheet metal:

Part Number	0.25" Steel	7 ga. (0.179")	11 ga. (0.120")	15 ga. (0.067")	21 ga. (0.033")	27 ga. (0.016")	31 ga. (0.010")
L-402007-XX	120 lbs.	120 lbs.	100 lbs.	30 lbs.	8 lbs.	2.5 lbs.	0.8 lbs.
L-802007-XX	350 lbs.	350 lbs.	270 lbs.	95 lbs.	25 lbs.	7 lbs.	2.5 lbs.
L-12X2007-XX	450 lbs.	450 lbs.	360 lbs.	140 lbs.	35 lbs.	10 lbs.	4 lbs.

Dimensional drawing:



Safety Caution:

The holding values as listed are actual readings of breaking away a 1/2" steel plate with no air-gaps between them. They have not been de-rated. For safety in holding applications, do not use electromagnets at more than 1/2 of rated value. In lifting applications, do not use at more than 1/4 of rated value. Do not use electromagnets over people.